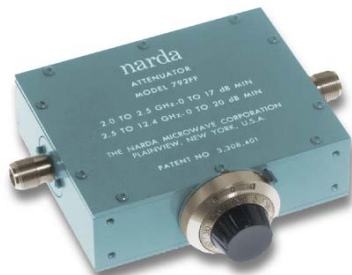


# Attenuators Variable

Adapters **Attenuators** Couplers DC Blocks Detectors Isolators & Circulators Phase Shifters Power Dividers and Hybrids Terminations (50 Ohm Loads) Waveguide

## Broad Band Type N 2.0 to 12.4 GHz



### Features

- Smooth, Continuous Operation Over Full Range
- Duo-Dial Drive for Easier Resetting and Positive Locking
- High Attenuation Over a Broad Frequency Range
- Designed for Panel Mounting

### Models

- 791F (M/F), 792F (M/F)

Model	791F (M/F)	792F (M/F)
Low Frequency (GHz)	2.0	2.0
High Frequency (GHz)	12.4	12.4
Attenuation Range	N/A	N/A
Attenuation Range (2 - 2.5 GHz)	0-35	0-17.5
Attenuation Range (2.5 - 12.4 GHz)	0-37.5	0-20
Power Input (Max Avg.) in W	10	10
Power Input (Max Peak) in kW	5	5
VSWR (max)	1.30	1.30
Insertion Loss dB (max)	1.5	1.0
Maximum Weight (oz)	92.8	40.0
Weight (max) in kg	2.63	1.13
Special Notes:	A , B , C	A , B , C

#### Special Notes:

**A:** Connectors are Type N stainless steel.

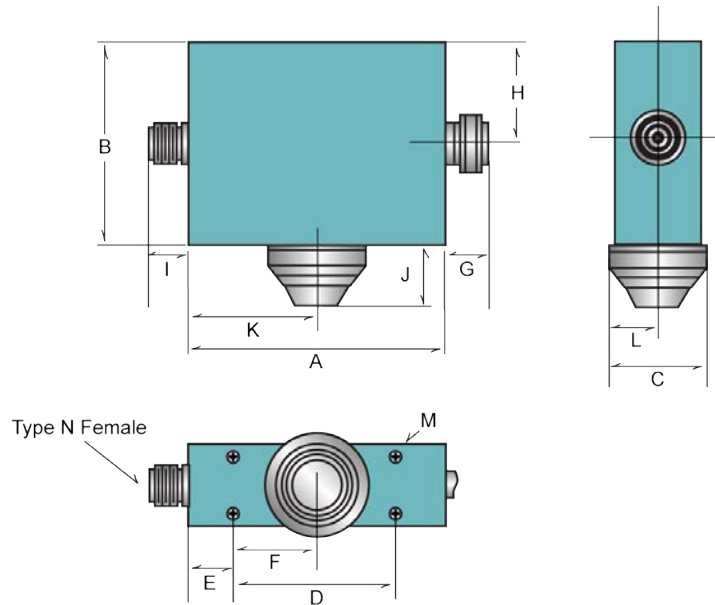
**B:** All units are supplied with a female input connector and your choice of output.

**C:** Specify "M" for male output connector (ie 791FM) and "F" for female output connector (ie 791FF)

# Attenuators Variable

Adapters **Attenuators** Couplers DC Blocks Detectors Isolators & Circulators Phase Shifters Power Dividers and Hybrids Terminations (50 Ohm Loads) Waveguide

## Broad Band Type N 2.0 to 12.4 GHz



Outline Drawings For Models : 791F (M/F), 792F (M/F)

Units	A	B	C	D	E	F	G	H	I	J	K	L	M (Dia.)
<b>791F (M/F)</b>													
in.	9.19	5.63	4.61	2.82	8.750	4.39	1.000	.51	.75	.78	4.61	.78	.92
mm	233.43	143.00	117.09	71.63	222.250	111.51	25.400	12.95	19.05	19.81	117.09	19.81	23.37
<b>792F (M/F)</b>													
in.	5.01	4.01	2.51	2.15	4.375	2.20	0.875	.45	.75	1.13	4.61	.92	.250
mm	127.25	101.85	63.75	54.61	111.125	55.88	22.225	11.43	19.05	28.70	117.09	23.37	6.350

**Notes:**

Dimensions are maximum and for reference only. Contact the factory for detailed specifications and outline drawing.